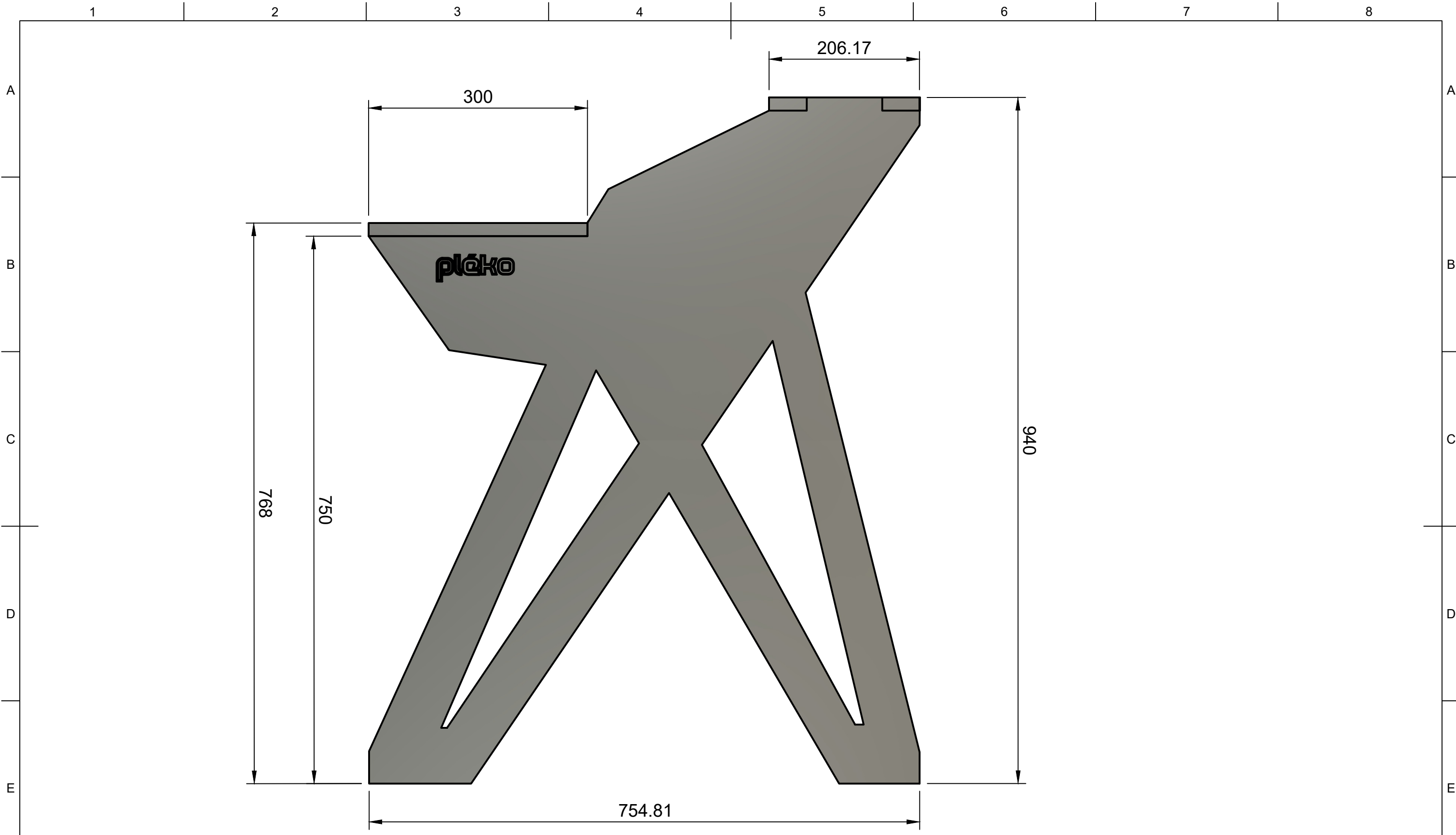
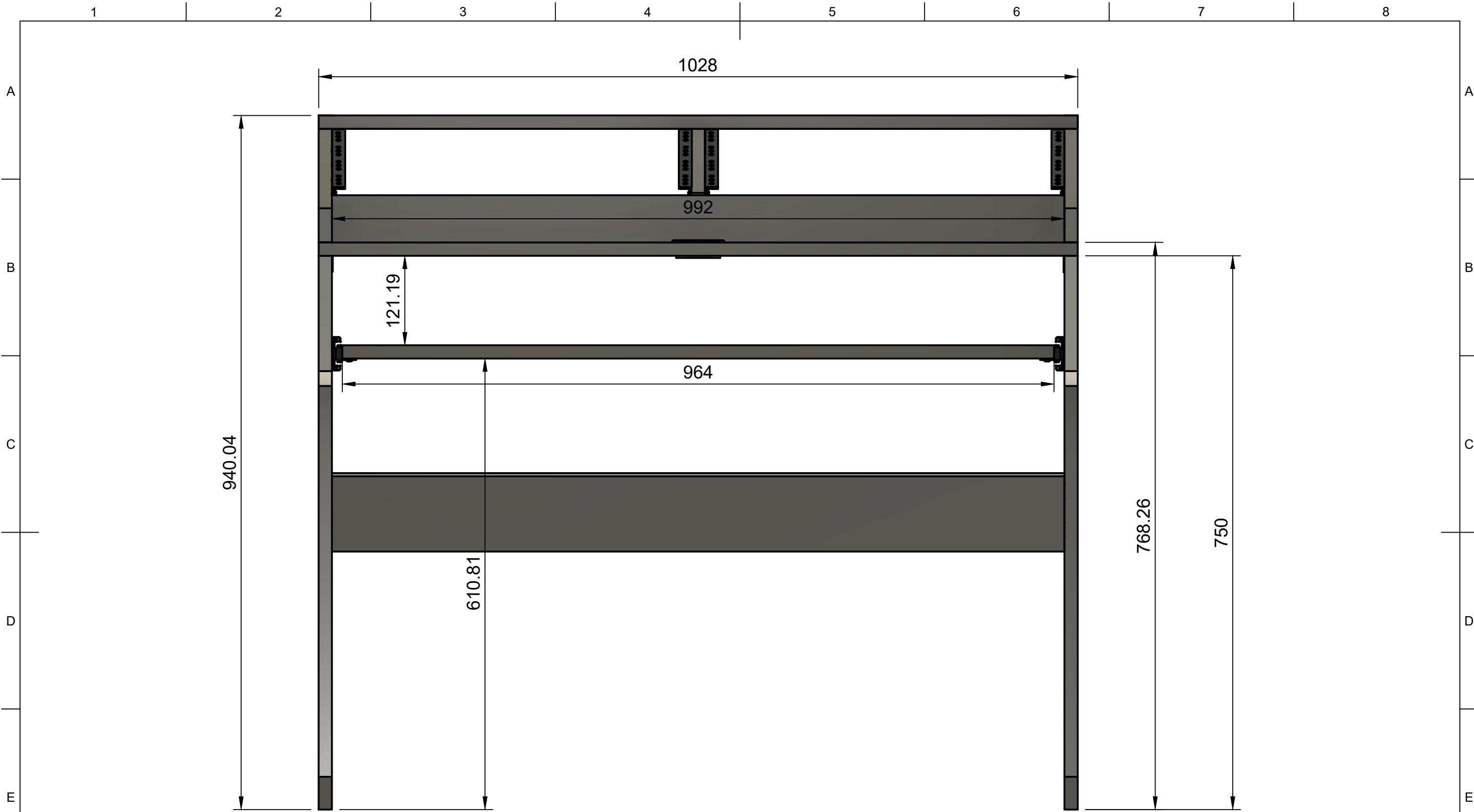


Dept.	Technical reference Top View	Created by Pleko	Approved by	
		Document type	Document status	
		Title Aether Desk	DWG No.	
	Rev.	Date of issue	Sheet	1/3



Dept.	Technical reference Right View	Created by Pleko	Approved by	
		Document type	Document status	
		Title Aether Desk	DWG No.	
	Rev.	Date of issue	Sheet 2/3	



Dept.	Technical reference Front View	Created by Pleko	Approved by	
		Document type	Document status	
		Title Aether Desk	DWG No.	
	Rev.	Date of issue	Sheet	3/3